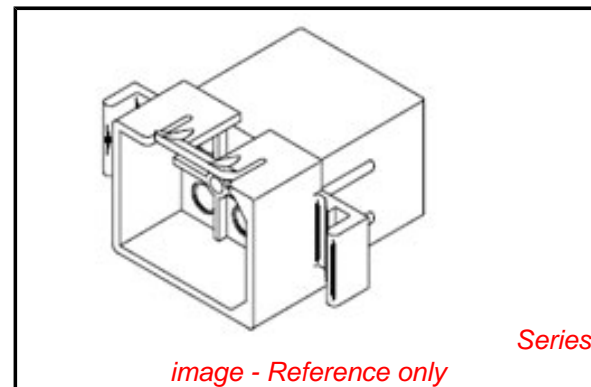


PLEASE CHECK WWW.MOLEX.COM FOR LATEST PART INFORMATION

Part Number: [0019092062](#)
Status: **Active**
Overview: [standard_093](#)
Description: 2.36mm (.093") Diameter, .093" Pin and Socket Plug Housing with Positive Latch, 6 Circuits, With Standard Mounting Ears

Documents:

3D Model	Product Specification PS-1991-015 (PDF)
Drawing (PDF)	Product Specification PS-1991-016 (PDF)
Packaging Specification (PDF)	RoHS Certificate of Compliance (PDF)
Product Specification PS-02-09 (PDF)	



Agency Certification

CSA	LR19980
TUV	R95725
UL	E29179

General

Product Family	Crimp Housings
Series	1991
Comments	Polarized to Mating Part
Overview	standard_093
Product Name	Standard .093"

Physical

Breakaway	No
Circuits (maximum)	6
Circuits Detail	2x3
Color - Resin	Natural
Flammability	94V-2
Gender	Female
Glow-Wire Compliant	No
Keying to Mating Part	None
Lock to Mating Part	Yes
Material - Resin	Nylon
Number of Rows	2
Packaging Type	Bag
Panel Mount	No
Pitch - Mating Interface (in)	0.248 In
Pitch - Mating Interface (mm)	6.30 mm
Polarized to Mating Part	Yes
Stackable	No
Temperature Range - Operating	-40°C to +105°C

Electrical

Current - Maximum per Contact	9A
-------------------------------	----

Material Info

Old Part Number	1991-6P1
-----------------	----------

Reference - Drawing Numbers

Product Specification	PS-02-09, PS-1991-015, PS-1991-016
Sales Drawing	SD-1991-6*

EU RoHS

ELV and RoHS Compliant
REACH SVHC
Contains SVHC: No
Halogen-Free
Status
Not Reviewed

China RoHS



Need more information on product environmental compliance?

Email productcompliance@molex.com
 For a multiple part number RoHS Certificate of Compliance, [click here](#)

Please visit the [Contact Us](#) section for any non-product compliance questions.

Search Parts in this Series

[1991Series](#)

Mates With

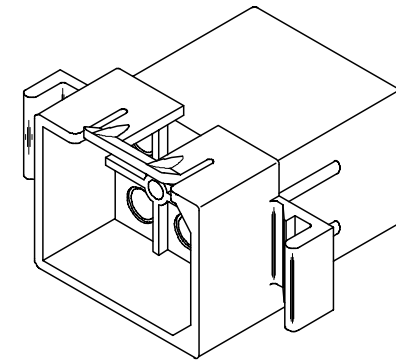
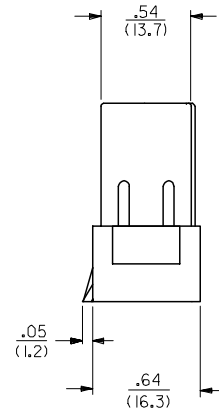
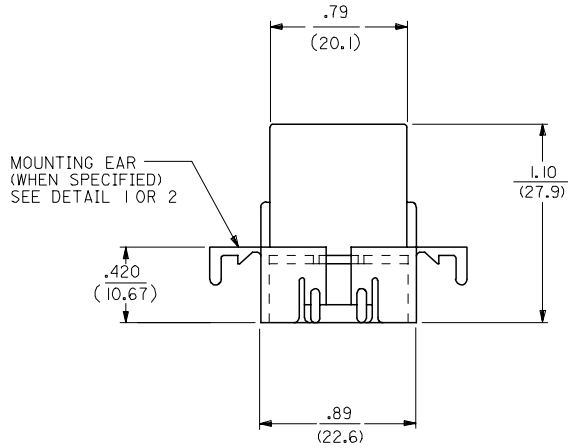
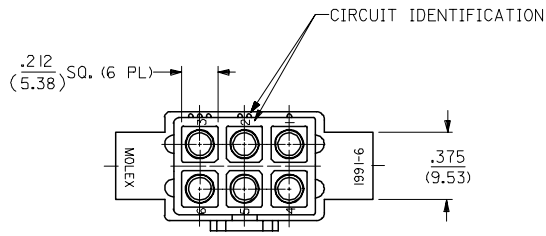
[19-09-1061](#) Receptacle, [19-09-1062](#) Receptacle

Use With

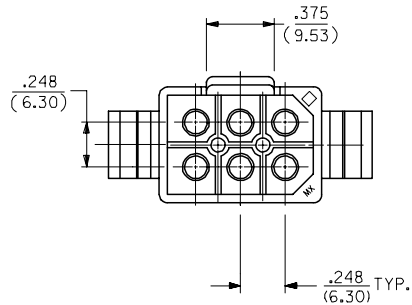
[1189](#) Crimp Terminals, [1190](#) Crimp Terminals, [1380](#) Male Crimp Terminals, [1381](#) Female Crimp Terminals, [1433](#) Crimp Terminals, [1434](#) Male Crimp Terminals, [1973](#) , [2151](#) , [2273](#) , [2870](#) , [2871](#) , [4272](#) , [4550](#) , [6271](#) , Lin

PLEASE CHECK WWW.MOLEX.COM FOR LATEST PART INFORMATION

PLUG

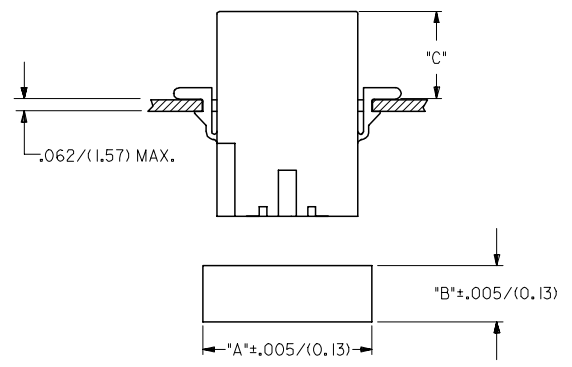


PLUG HOUSING



UPDATE TITLE BLOCK EC NO: UCP2007-1498 DRAWN: AELHAG 2007/04/04 CHKD: AELHAG 2007/04/04 APPR: FSM TH 2007/04/04 REV DESCRIPTION	QUALITY SYMBOLS	GENERAL TOLERANCES (UNLESS SPECIFIED)		DIMENSION STYLE	SCALE	DESIGN UNITS	THIRD ANGLE PROJECTION
	▽=0 ▽=0	mm	INCH	IN/MM	2:1	INCH	☉ THIRD ANGLE PROJECTION
		4 PLACES ± .010	± .010	DRAWN BY	DATE	TITLE	
		3 PLACES ± 0.25	± .014	JJS	1988/02/25	.093/(2.36) HOUSINGS PLUG AND RECEPTACLE	
		2 PLACES ± 0.36	± .014	CHECKED BY	DATE	6 CKT, .248/(6.30) CTRS.	
		1 PLACE ± 0.36	± .014	RW	1988/02/25		
		ANGULAR ± 1 °		APPROVED BY	DATE		
				RAS	1988/02/25	MOLEX INCORPORATED MOLEX INCORPORATED	
		DRAFT WHERE APPLICABLE MUST REMAIN WITHIN DIMENSIONS		MATERIAL NO.	DOCUMENT NO.	SHEET NO.	
				SEE CHART	SD-1991-6*	1 OF 3	
				THIS DRAWING CONTAINS INFORMATION THAT IS PROPRIETARY TO MOLEX INCORPORATED AND SHOULD NOT BE USED WITHOUT WRITTEN PERMISSION			

PLUG			RECEPTACLE		
PART NO.	ENG. NO.	PKG. INFORMATION	PART NO.	ENG. NO.	PKG. INFORMATION
I9-09-2061	I991-6P	PK-1991-001	I9-09-1061	I991-6R	PK-1991-001
I9-09-2062	I991-6P1	PK-1991-001	I9-09-1062	I991-6R1	PK-1991-002
I9-09-7061	I991-6PBK	PK-1991-001	I9-09-6061	I991-6RBK	PK-1991-001
I9-09-7062	I991-6P1BK	PK-1991-001	I9-09-1068	I991-6R1-B	PK-1991-001



HOUSING	DIM. "A"	DIM. "B"	DIM."C" STD.EAR	DIM."C" PREBENT
PLUG	1.048/(26.62)	.658/(16.71)	.51/(12.9)	.52/(13.2)
RECEPTACLE	.946/(24.03)	.608/(15.44)	.53/(13.5)	.54/(13.7)

- NOTES:
- MATERIAL CODES:
A - NYLON TYPE 6/6, UL 94V-2
B - NYLON TYPE 6/6, UL 94V-0
 - FINISH: N/A
 - PRODUCT SPECIFICATION: PS-02-09
 - PACKAGING SPECIFICATION: SEE CHART
 - HOUSINGS FOR USE WITH MOLEX STD. .093/(2.36) TYPE TERMINALS.
 - PARTS CONFORM TO CLASS B REQUIREMENTS OF COSMETIC SPECIFICATION PS-45499-002.

LEGEND:

1991-6****-*

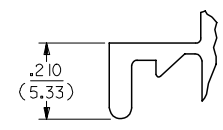
CIRCUIT SIZE

P = PLUG
R = RECEPTACLE

BLANK = WITH STANDARD EARS
1 = WITHOUT EARS
2 = WITH PREBENT EARS, PER DETAIL 2

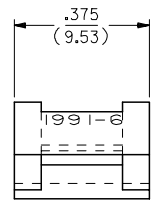
COLOR: BLANK=NATURAL COLOR
AM=AMBER BK=BLACK BU=BLUE
BN=BROWN CY=GRAY GN=GREEN
OR=ORANGE RD=RED YW=YELLOW

BLANK = MATERIAL CODE A
B = MATERIAL CODE B



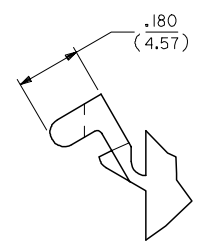
DETAIL 1

STANDARD MOUNTING EARS
(SCALE 4:1)



DETAIL 2

PREBENT MOUNTING EAR
(SCALE 4:1)



ADD NOTES 2,4&6 EC NO: UCP2007-1498 DRWNA:ELHAG 2007/04/04 CHKD:ALHAG 2007/04/04 APPR:FSM TH 2007/04/04 REVISIONS	QUALITY SYMBOLS ▽=0 ▽=0	GENERAL TOLERANCES (UNLESS SPECIFIED) <table border="1"> <thead> <tr> <th></th> <th>mm</th> <th>INCH</th> </tr> </thead> <tbody> <tr> <td>4 PLACES</td> <td>± .10</td> <td>± .004</td> </tr> <tr> <td>3 PLACES</td> <td>± .12</td> <td>± .005</td> </tr> <tr> <td>2 PLACES</td> <td>± .15</td> <td>± .006</td> </tr> <tr> <td>1 PLACE</td> <td>± .20</td> <td>± .008</td> </tr> </tbody> </table>		mm	INCH	4 PLACES	± .10	± .004	3 PLACES	± .12	± .005	2 PLACES	± .15	± .006	1 PLACE	± .20	± .008	DIMENSION STYLE IN/MM	SCALE 2:1	DESIGN UNITS INCH	THIRD ANGLE PROJECTION
		mm	INCH																		
4 PLACES	± .10	± .004																			
3 PLACES	± .12	± .005																			
2 PLACES	± .15	± .006																			
1 PLACE	± .20	± .008																			
DRAWN BY JJS	DATE 1988/03/01	CHECKED BY RW	DATE 1988/03/01	APPROVED BY RAS	DATE 1988/03/01	MATERIAL NO. SD-1991-6*															
DRAFT WHERE APPLICABLE MUST REMAIN WITHIN DIMENSIONS		SEE CHART		MOLEX INCORPORATED		SHEET NO. 3 OF 3															
THIS DRAWING CONTAINS INFORMATION THAT IS PROPRIETARY TO MOLEX INCORPORATED AND SHOULD NOT BE USED WITHOUT WRITTEN PERMISSION																					